



**Durable by design...  
practical by experience.**

Safemark's W5.0 In-Wall safe was designed to provide your guests with the ultimate in peace of mind while maintaining a small footprint in your closet or guestroom. The W5.0 is designed to install securely between standard 16-inch centered studs, occupying the cavity inside your walls. The W5.0 safe provides ample space for your guests to secure laptops, cameras, purses and other valuable items during their stay.

The W5.0 is usually installed at shoulder height making it convenient to use. The W5.0 safe features a built-in flange that is mounted flush with existing walls. The flange covers any rough cuts, lending an aesthetically pleasing installation that will survive future refurbishments.

W5.0

# WS.O IN-WALL

# SAFEMARK™

SYSTEMS

## FEATURES:

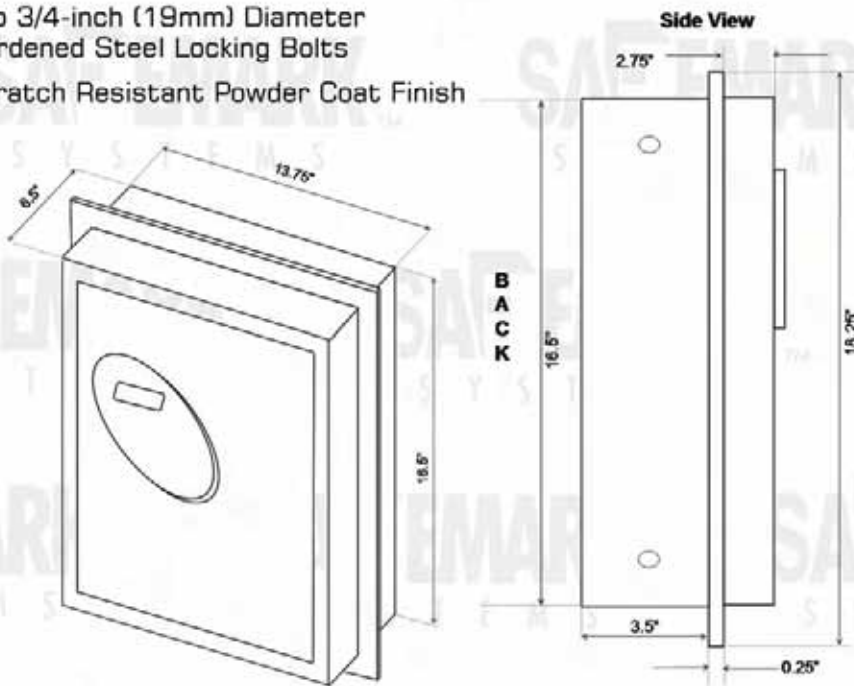
- Illuminated ADA-Compliant Keypad
- Enhanced LED Display
- Audio/Visual Operating Signals
- Electronic Handheld Override (EHO)
- 240-Event Audit Trail System
- Low Battery Indicator
- Self-Diagnostic System
- Built-In Flange

## OPTIONS:

- Left- or Right-Hand Hinging
- Custom Key Cover
- High Security Medeco™ Fail Safe UL-Rated Override Key System

## CONSTRUCTION:

- 1/4-inch (6mm) Cold Rolled Steel Door
- Two 3/4-inch (19mm) Diameter Hardened Steel Locking Bolts
- Scratch Resistant Powder Coat Finish



Industrial Strength  
EHO



High Security Medeco™  
Override Key System



Custom Key Covers



Illuminated  
ADA-Compliant Keypads

DIMENSIONS*	Height:	16.5 inches	420 mm
	Width:	13.75 inches	350 mm
	Depth:	6.5 inches	165 mm
	Insert depth*:	3.5 inches	89 mm
	Weight:	40 lbs	18.1 kgs
	Flange:	Add .875 to all sides	22mm to all sides
	(easily accommodates 17-inch laptops)		

## CONTACT

2101 Park Center Drive • Suite 125  
 Orlando, Florida 32835  
 Toll-Free (800) 255 8818  
 Local (407) 299 0044  
 Fax (407) 299 7650

www.safemark.com • sales@safemark.com

\* Specifications subject to change without prior notice.